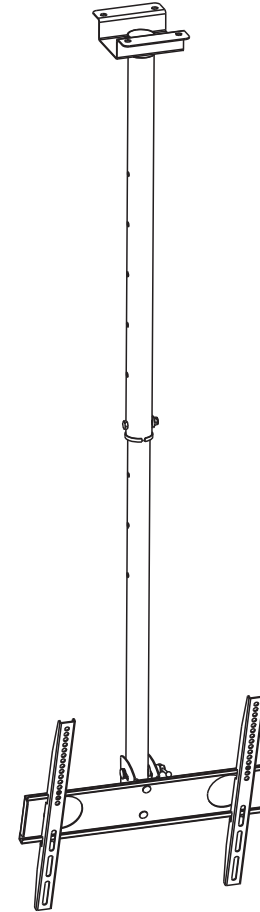







# Flat Panel Ceiling Mount



CAUTION: DO NOT EXCEED MAXIMUM LISTED WEIGHT CAPACITY. SERIOUS INJURY OR PROPERTY DAMAGE MAY OCCUR!

PLB-CE324	 100x100/200x100 200x200/400x200	 42" MAX	 50kg (110lbs) MAX
PLB-CE344	 100x100/200x100 200x200/400x200 300x300/400x400	 47" MAX	

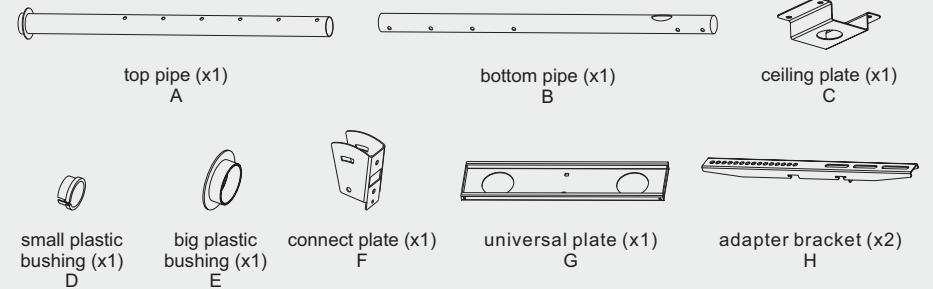
**NOTE:** Read the entire instruction manual before you start installation and assembly.

## WARNING

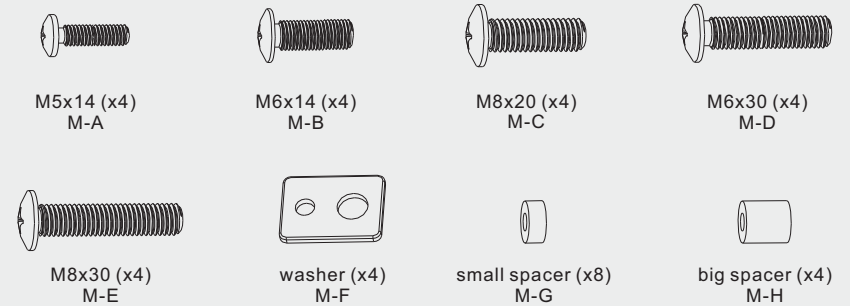
- Do not begin the installation until you have read and understood the instructions and warnings contained in this installation sheet. If you have any question regarding any of the instruction or warning, please contact your local distributor.
- This mounting bracket was designed to be installed and utilized **ONLY** as specified in this manual. Improper installation of this product may cause damage or serious injury.
- This product should only be installed by someone of good mechanical ability, with basic building experience and fully understanding of this manual.
- Make sure that the supporting surface will safely support the combined load of the equipment and all attached hardware and components.
- Always use assistant or mechanical lifting equipment to safely lift and position equipment.
- Tighten screws firmly, but do not over tighten. Over tightening can damage the items, greatly reducing their holding power.
- This product is intended for indoor use only. Using this product outdoors could lead to product failure and personal injury.

## Component Checklist

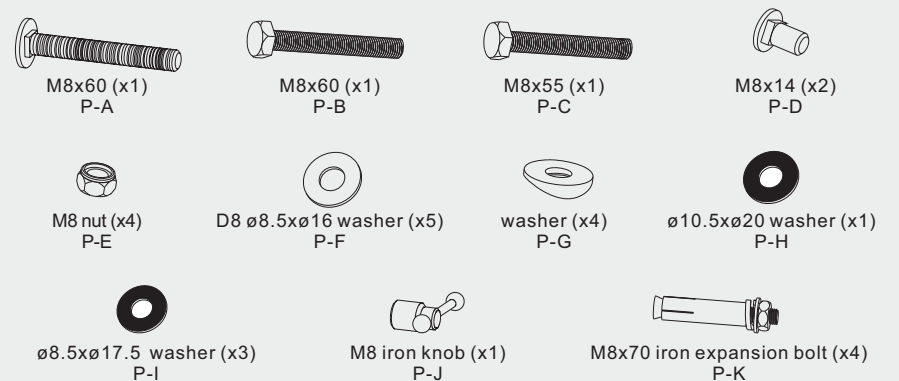
**IMPORTANT:** Ensure that you have received all parts according to the component checklist prior to installing. If any parts are missing or faulty, telephone your local distributor for a replacement.



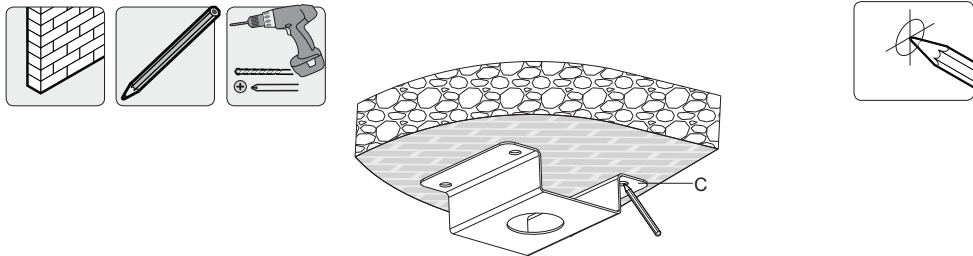
### Package M



### Package P

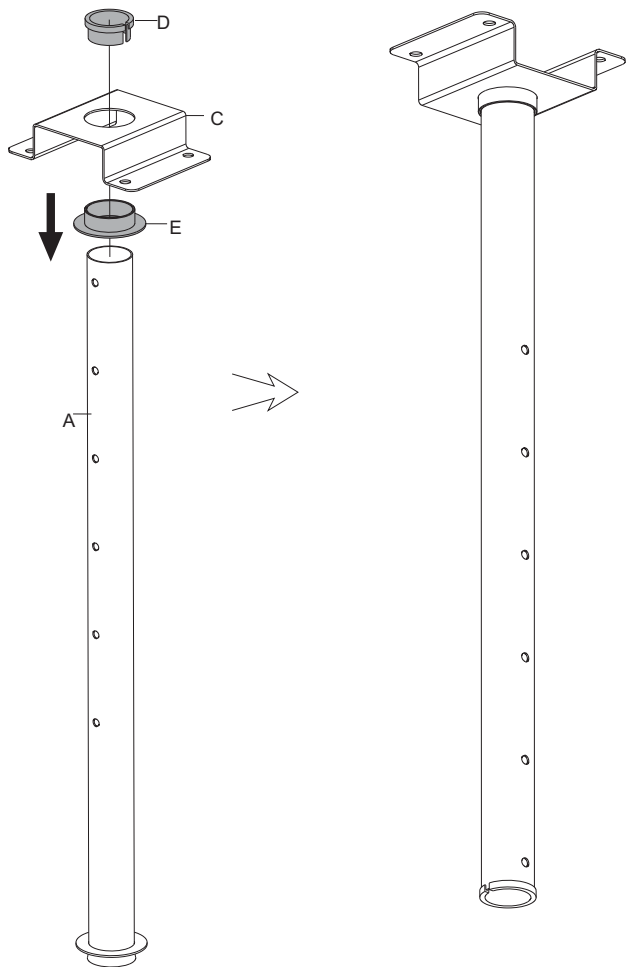


### 1. Mark the Mounting Hole Locations

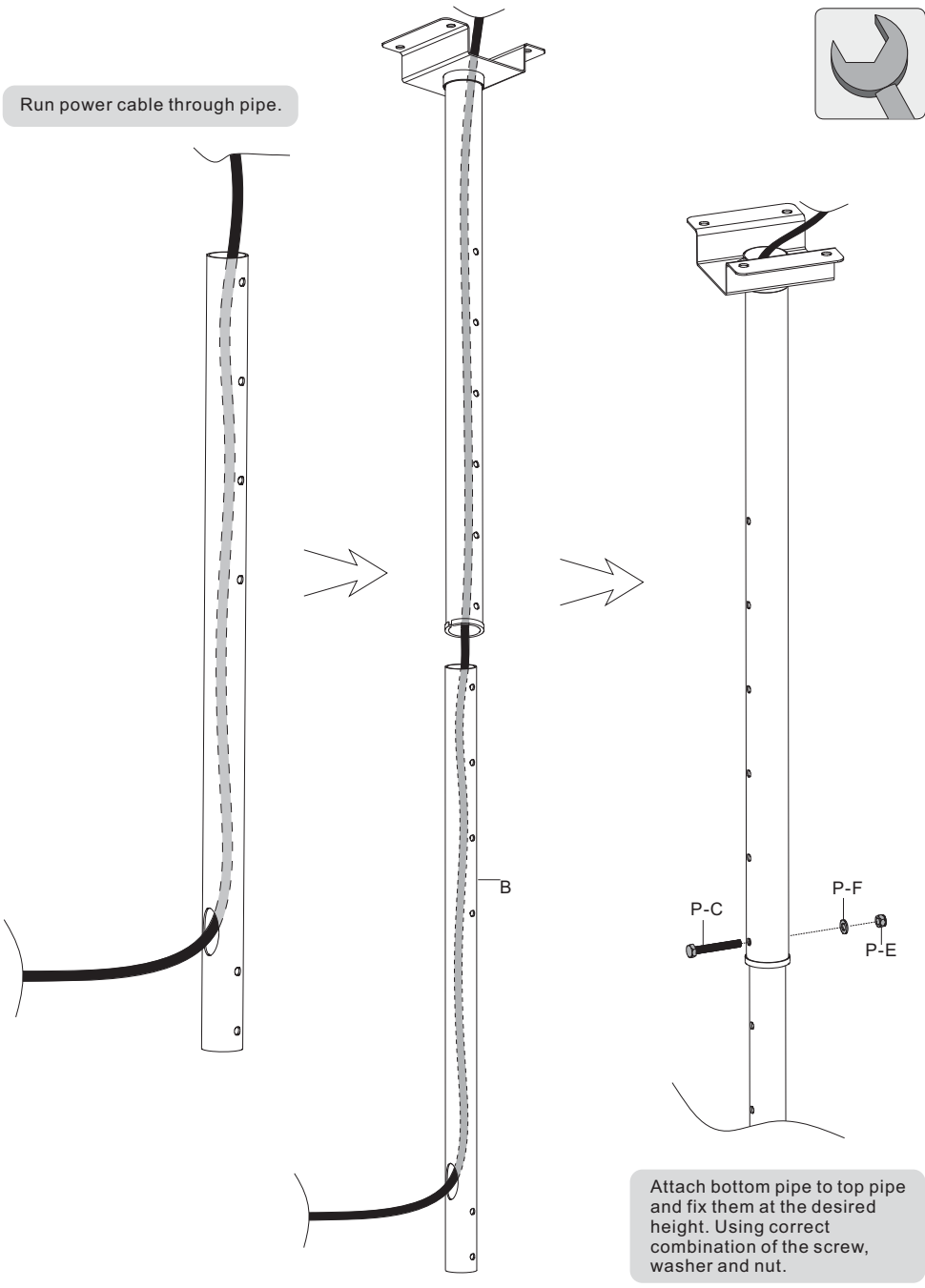


Use the ceiling plate as a template to mark four hole locations on the ceiling.

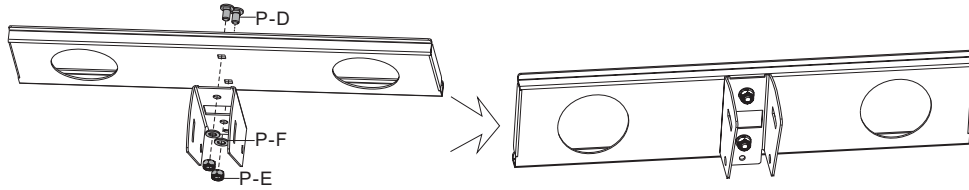
### 2. Install the Ceiling Plate and the Plastic Bushings



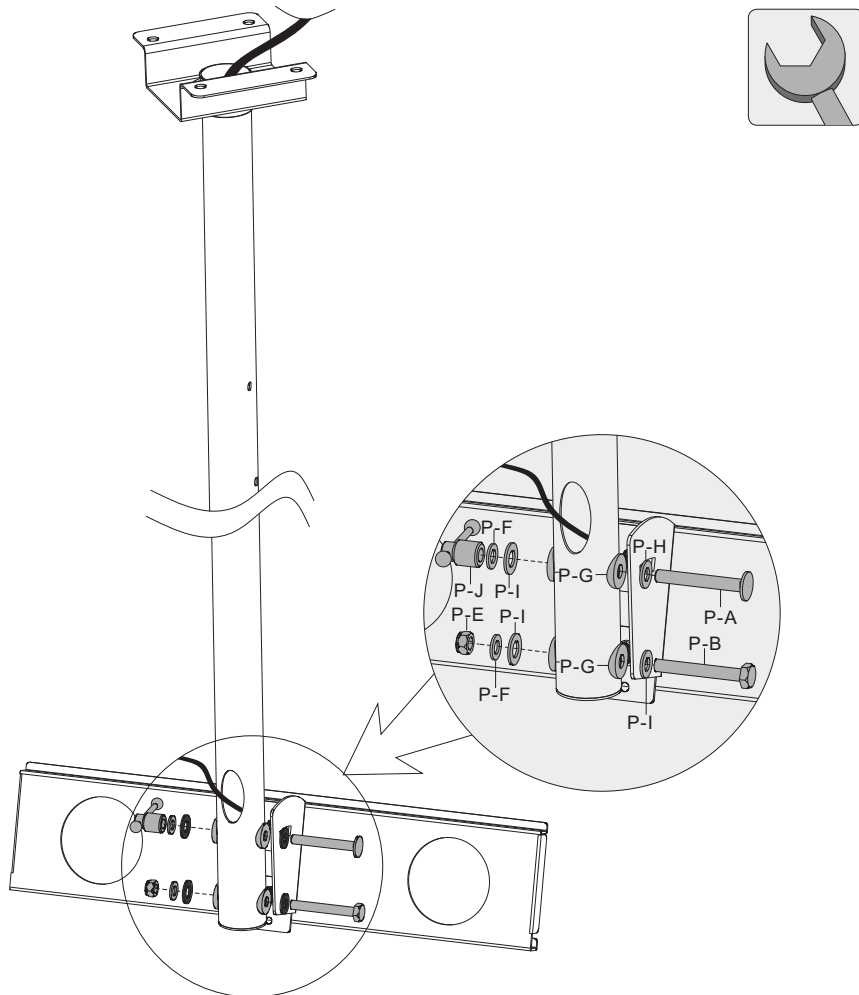
### 3. Assemble Pipes



#### 4. Assemble the Universal Plate

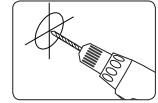
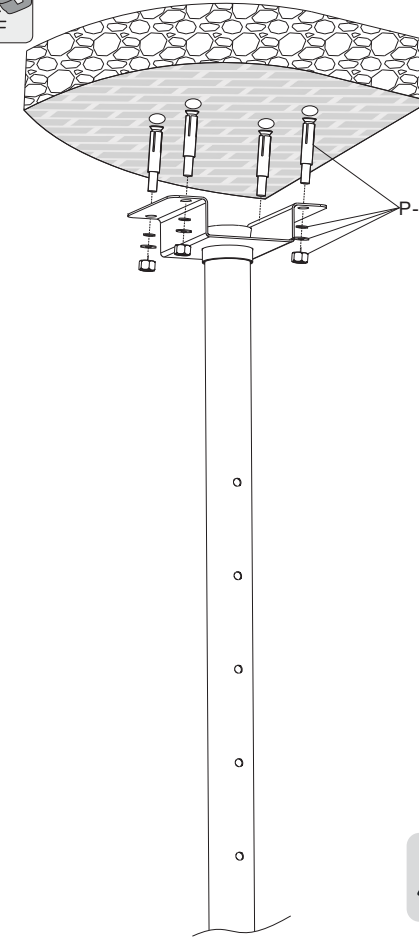
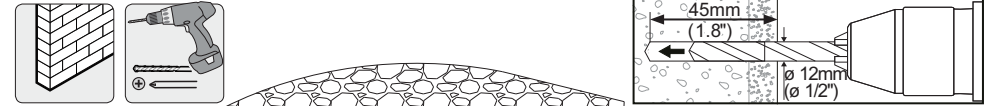


Attach connect plate to the universal plate using correct combination of screws, washers, nuts and iron knob.



Assemble the universal plate and bottom pipe with connect plate. Using correct combination of screws, washers, nuts and iron knob.

#### 5. Mount on Solid Brick and Concrete Block



Drill four pilot holes



Screw ceiling mount on the ceiling

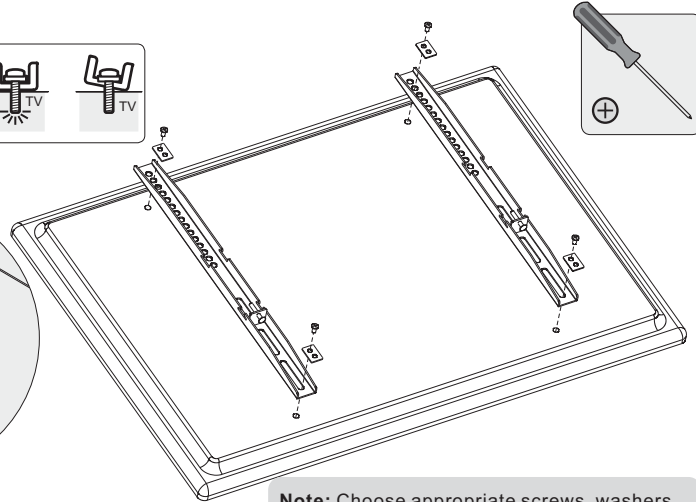
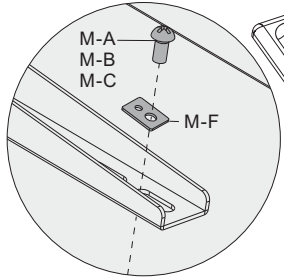
**!** Tighten all nuts but do not over tighten.

### **!** WARNING

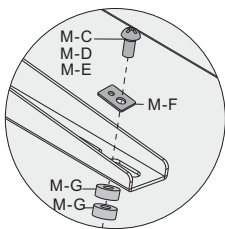
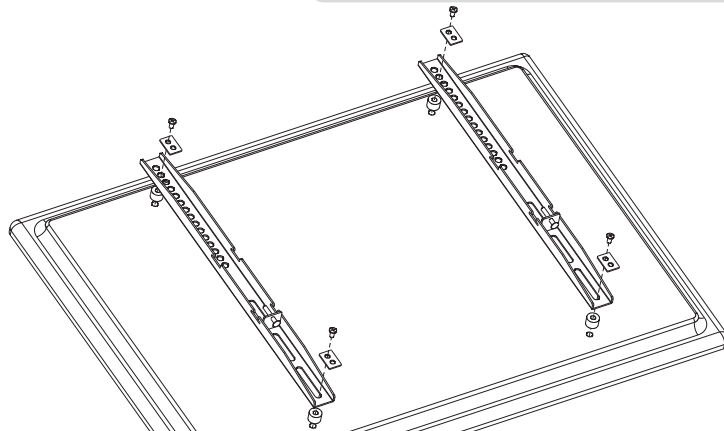
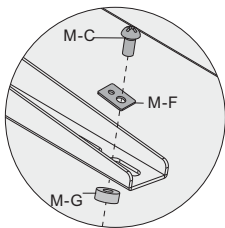
- When installing ceiling mounts on cinder block, verify the actual concrete thickness is at least 1-3/8" (35mm) for using the concrete anchors. Do not drill into mortar joints! Be sure to mount in a solid part of the block, generally 1" (25mm) minimum from the side of the block. It is suggested electric drill on slow setting be used to drill the hole instead of a hammer drill to avoid breaking out the back of the hole when entering a void or cavity.
- Installers must verify that the supporting surface will safely support the combined load of the equipment and all attached hardware and components.

## 6. Install Adapter Brackets

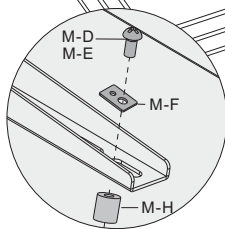
### 6-1 For Flat Back Screen



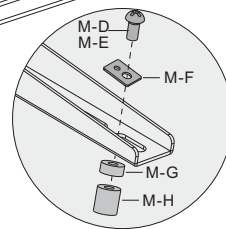
### 6-2 For Recessed Back Screen or to Access A/V Inputs



or



or

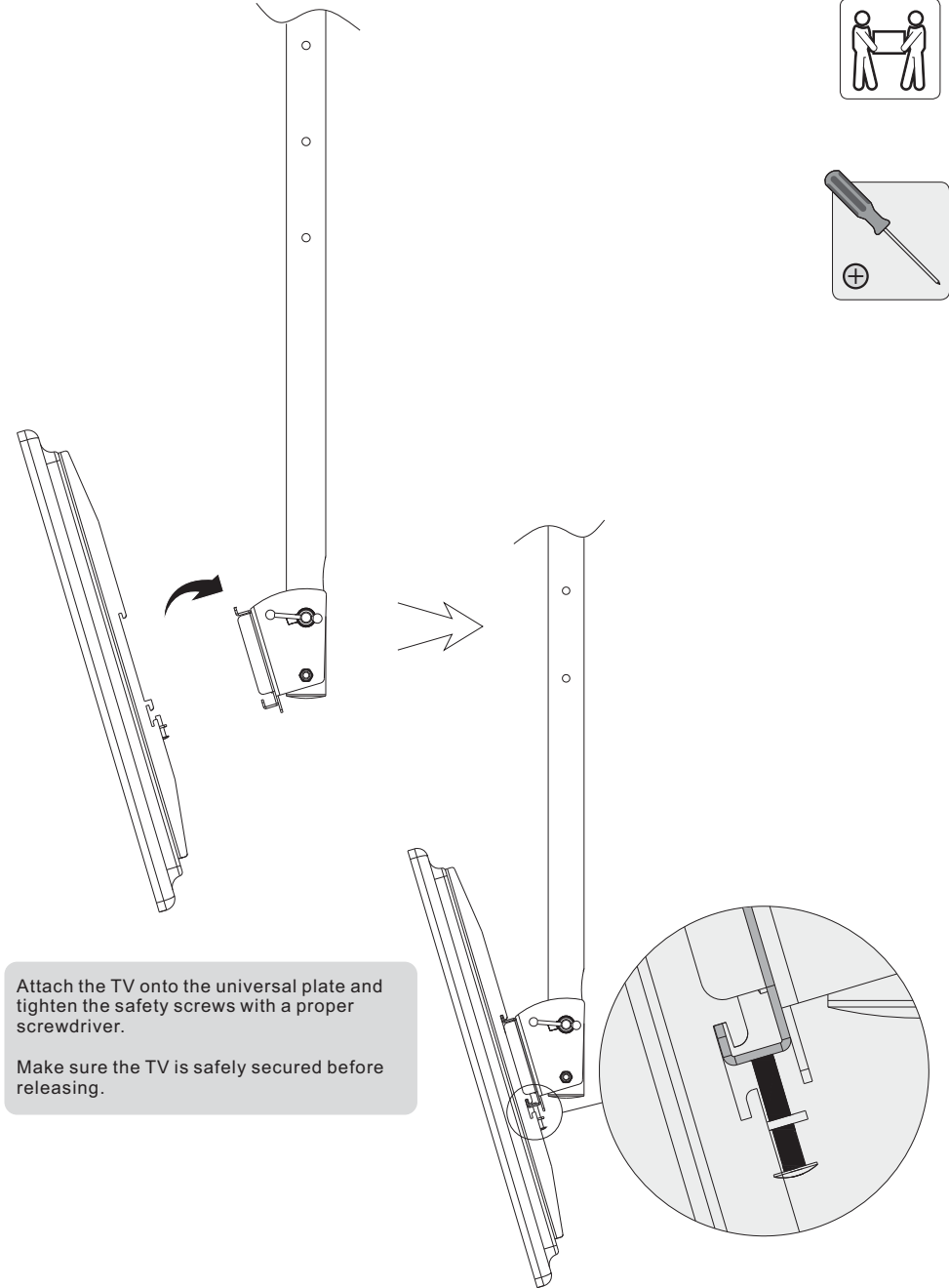
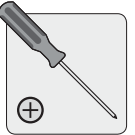


**Note:** Choose appropriate screws, washers and spacers (if necessary) according to the type of screen.

- Position the adapter brackets as close as possible to the center of the display.
- Screw the adapter brackets onto the display.

**⚠ Tighten all screws but do not over tighten.**

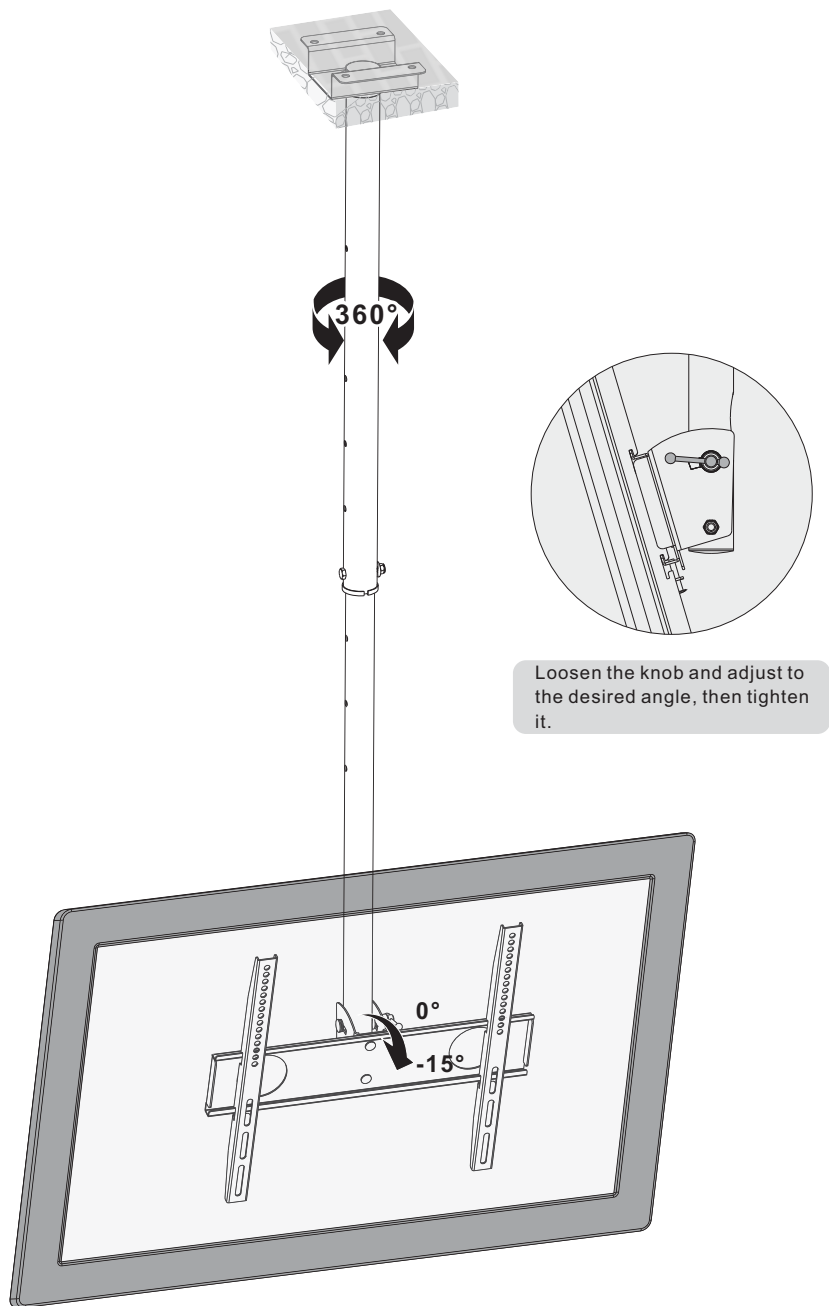
## 7. Hang TV onto the Universal Plate



Attach the TV onto the universal plate and tighten the safety screws with a proper screwdriver.

Make sure the TV is safely secured before releasing.

## 8. Adjustment



## Maintenance

- Check that the bracket is secure and safe to use at regular intervals (at least every three months).
- Please contact your dealer if you have any questions.