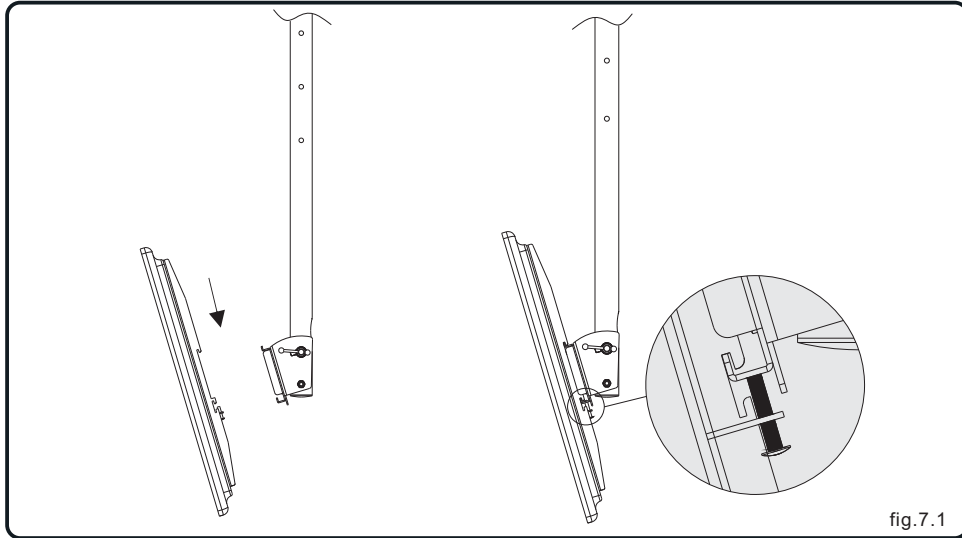
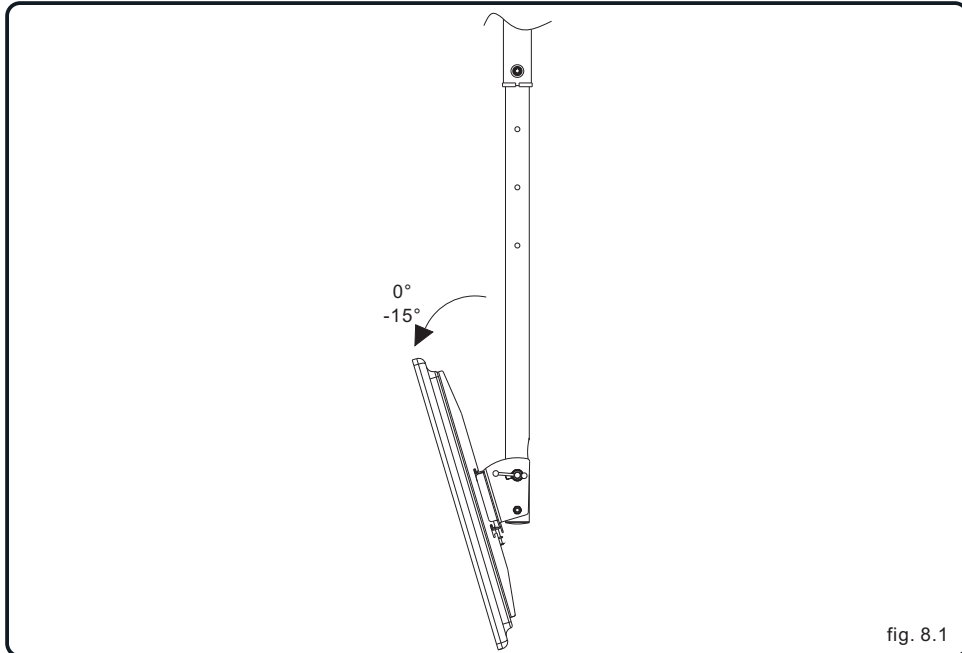


# INSTALLATION INSTRUCTIONS



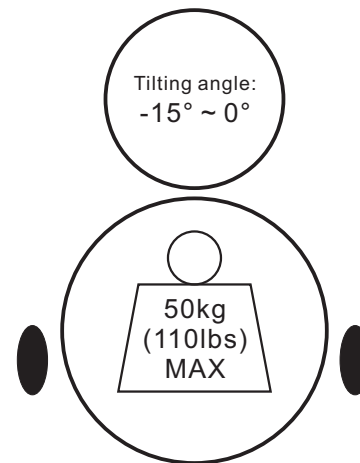
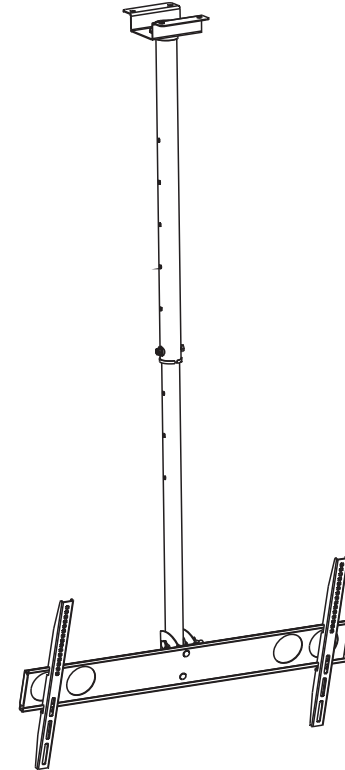
## 8 Pitching Angle Adjustment

Use the iron knob to adjust your TV to the desired angle, and then tighten the iron knob. the pitching angle can be adjusted between  $-15^{\circ} \sim 0^{\circ}$  as shown in fig.8.1.



## Maintenance

Once you have mounted the bracket and the flat screen, check that they are sufficiently secure and safe to use. You should check whether screws are fixed well each two months. If you have any doubts regarding the installation, please consult our retailer or service department for details.



PLB Ceiling Mount  
**Model: PLB-CE348**  
Max Load Capacity: 50kg(110lbs)

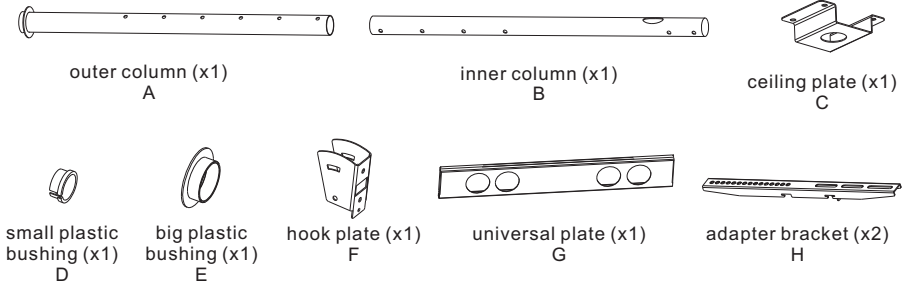
**NOTE:** Read the entire instruction manual before you start installation and assembly.

## ⚠ WARNING

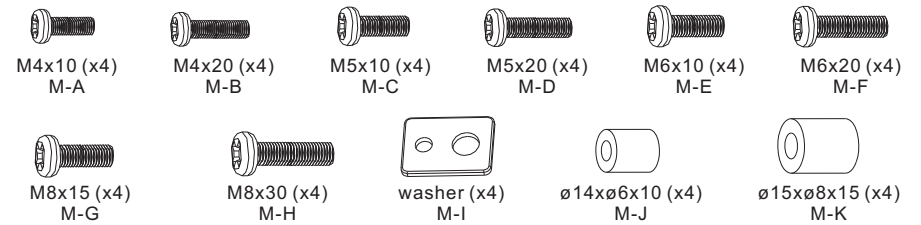
- Do not begin the installation until you have read and understood the instructions and warnings contained in this installation sheet. If you have any questions regarding any of the instruction or warning, please contact your local distributor.
- This mounting bracket was designed to be installed and utilized **ONLY** as specified in this manual. Improper installation of this product may cause damage or serious injury.
- This product should only be installed by someone of good mechanical ability, with basic building experiences and fully understanding of this manual.
- Make sure that the supporting surface will safely support the combined load of the equipment and all attached hardware and components.
- Never exceed the maximum load capacity.
- Always use an assistant or mechanical lifting equipment to safely lift and position equipment.
- Tighten screws firmly, but do not over tighten. Over tightening can damage the items, greatly reducing their holding power.
- This product intended for indoor use only. Using this product outdoors could lead to product failure and personal injury.

## Component Checklist

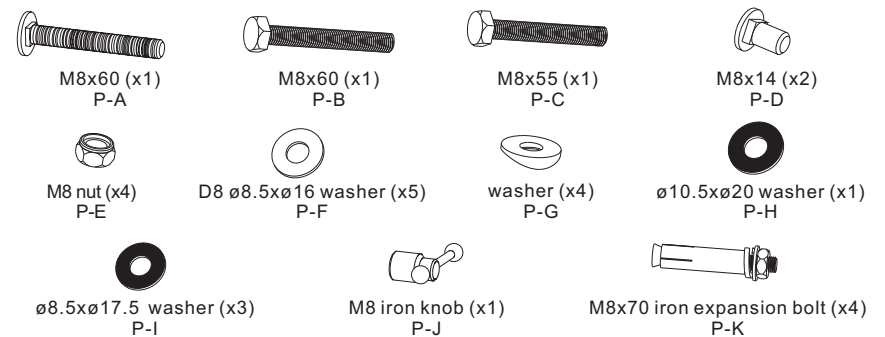
**IMPORTANT:** Ensure that you have received all parts according to the component checklist prior to installing. If any parts are missing or faulty, telephone the local distributor for a replacement.



## Package M



## Package

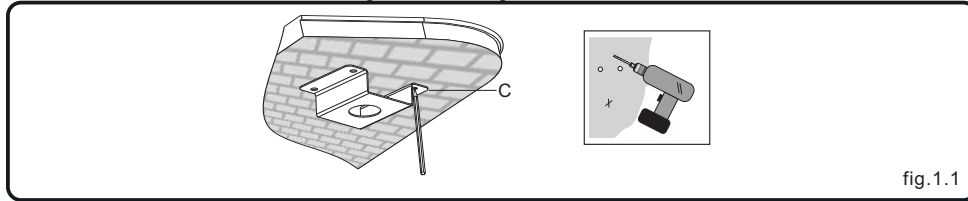


## Tools required

- Phillips head screw driver(200mm length exclude the handle)
- Wrench and socket
- Electric drill and 12mm masonry bit for concrete wall installation
- Marking pen
- Hammer

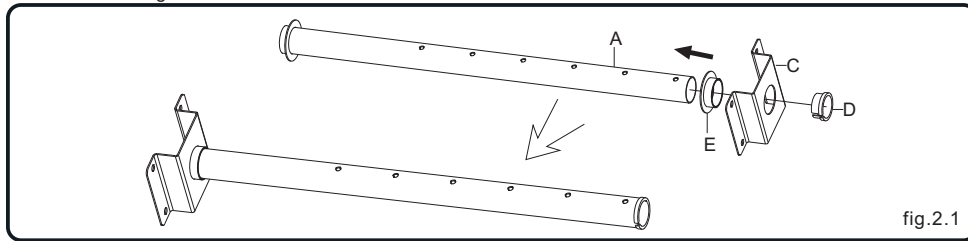
### 1 Marking the Mounting Holes Locations

Determine the exact mounting location prior to installation, and then use the ceiling plate as a template to mark four holes locations on the ceiling as shown in fig.1.1.



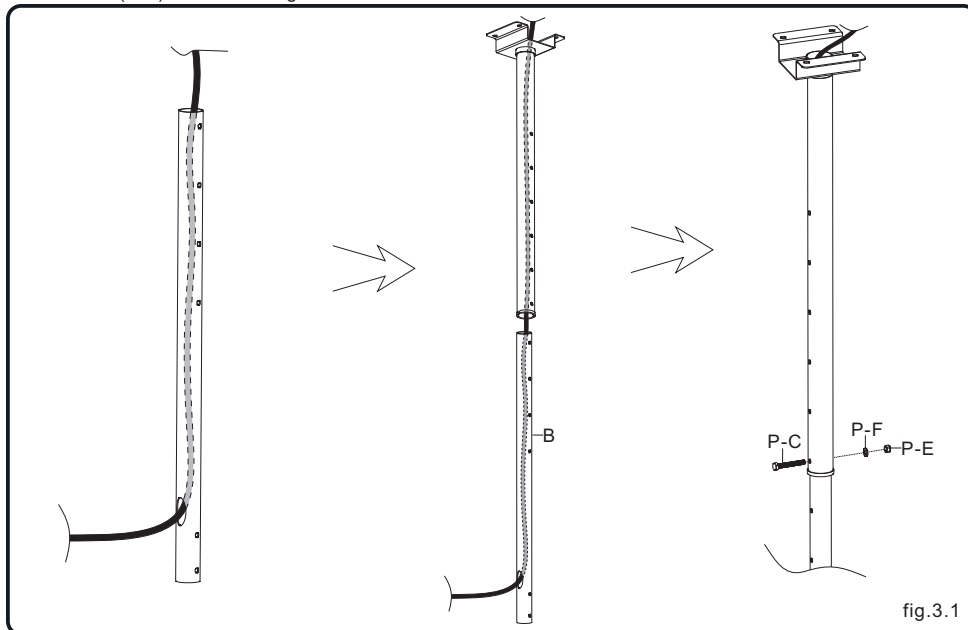
### 2 Installing the Ceiling Plate and the Plastic Bushings

Slide the big plastic bushing along the outer column till the big plastic bushing is reached the top position. Install the ceiling plate in the same way. And then insert the small plastic bushing into the end of outer column as shown in fig.2.1.



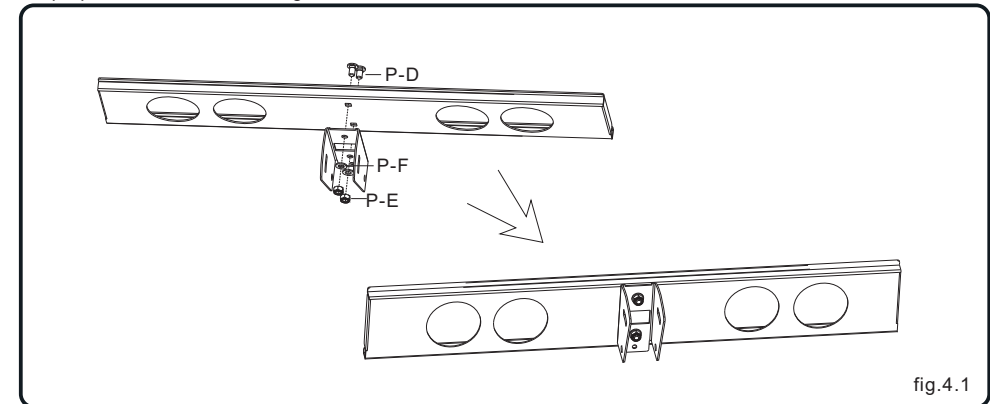
### 3 Installing the Column of Ceiling Mount

- Run power cable through channel as shown in fig.3.1.
- Install the inner column into the outer column at desired height and secure it using screw (P-C), washer (P-F) and nut (P-E) as shown in fig.3.1.

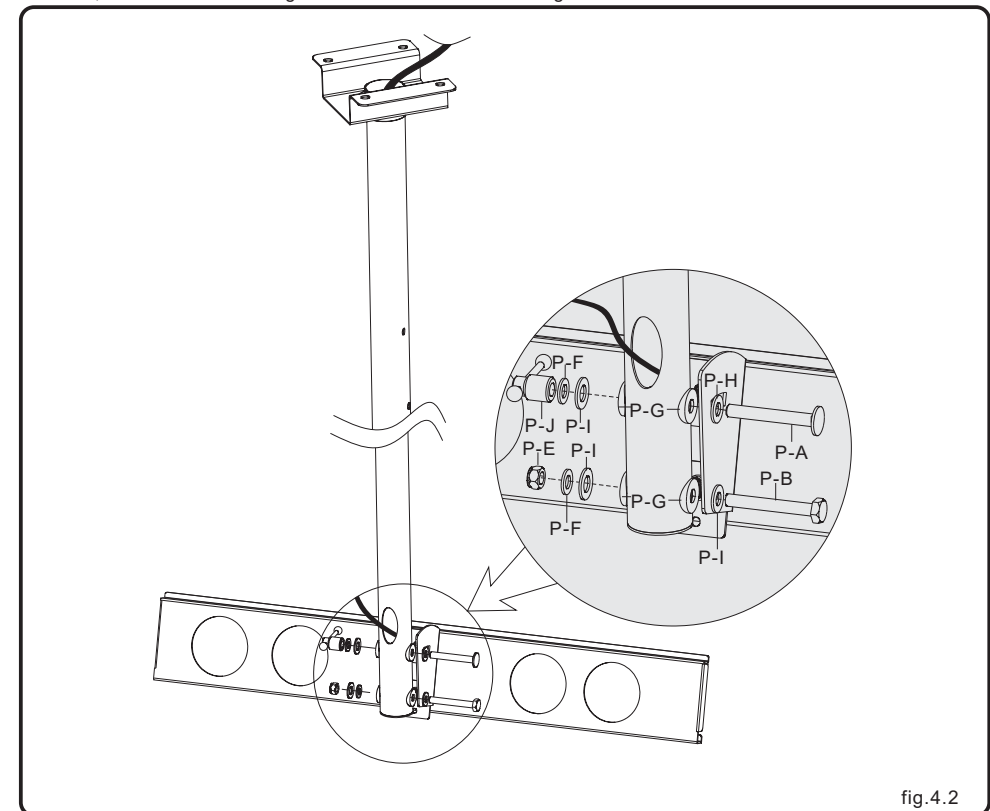


### 4 Installing the Universal Plate

Attach the universal plate to hook plate using screws (P-D), washer (P-F) and nut (P-E), tighten nuts using a proper socket as shown in fig. 4.1.



Attach the assembled universal plate to the ceiling mount using the appropriate combination of screws, washers, nut and iron knob. Tighten all screws as shown in fig.4.2.



## 5 Solid Brick and Concrete Block Mounting:

### ⚠ WARNING

- When installing PLB ceiling mounts on cinder block, verify that you have a minimum of 1-3/8" of actual concrete thickness in the hole to be used for the concrete anchors. Do not drill into mortar joints! Be sure to mount in a solid part of the block, generally 1" minimum from the side of the block. It is suggested electric drill on slow setting is used to drill the hole instead of a hammer drill to avoid breaking out the back of the hole when entering a void or cavity.
- Installer must verify that the supporting surface will safely support the combined load of the equipment and all attached hardware and components.

Pre-drill these marked holes with a 12mm masonry bit to at least 45mm in depth. Insert an iron expansion bolt into each of these holes. Attach the ceiling plate to the ceiling using other parts of iron expansion bolt as shown in fig.5.1.

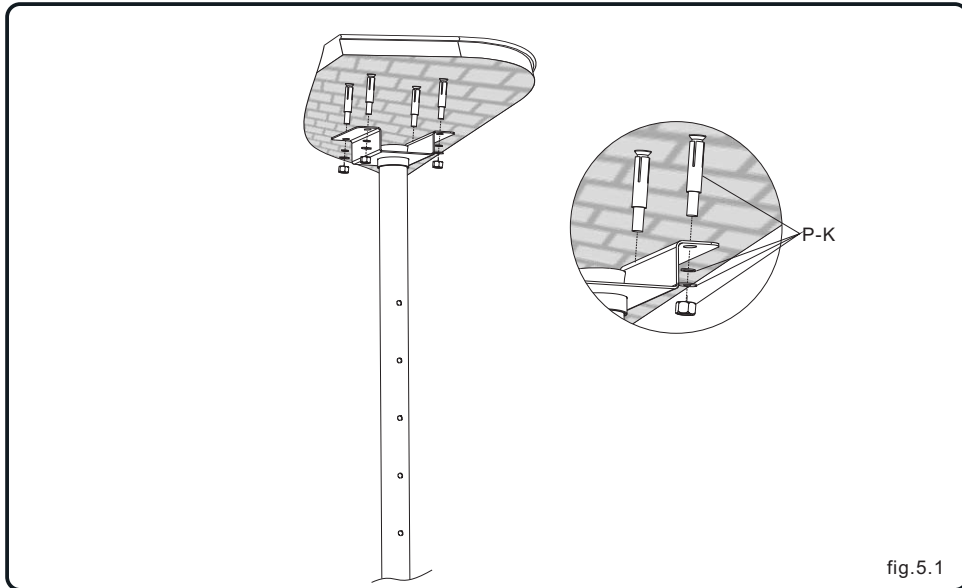


fig. 5.1

## 6 Installing Adapter Brackets

- To prevent scratching the screen, set a cloth on a flat, level surface that will support the weight of the screen.
- Place screen face side down. Place adapter brackets on the back of screen, align to holes, and center on back of screen.
- Attach the adapter brackets to the back of the screen using the appropriate combination of screws, washers, and spacers, as shown in fig.4.1, fig.4.2 and fig.4.3.

**NOTE:** For flat back screens proceed to step 4-1. For bump-out or recessed back screen skip to step 4-2.

## 6-1 For Flat Back Screen

- Begin with the shortest length screw, hand thread through washer and adapter bracket into screen as shown below.
- Screw must make at least three full turns into mounting hole and fit snug into place. Do not over tighten.
- If screw cannot make three full turns into screen, select a longer length screw. Repeat for remaining mounting holes, level brackets and tighten screws.

**NOTE:** Spacer may not be used, depending upon the type of screen.

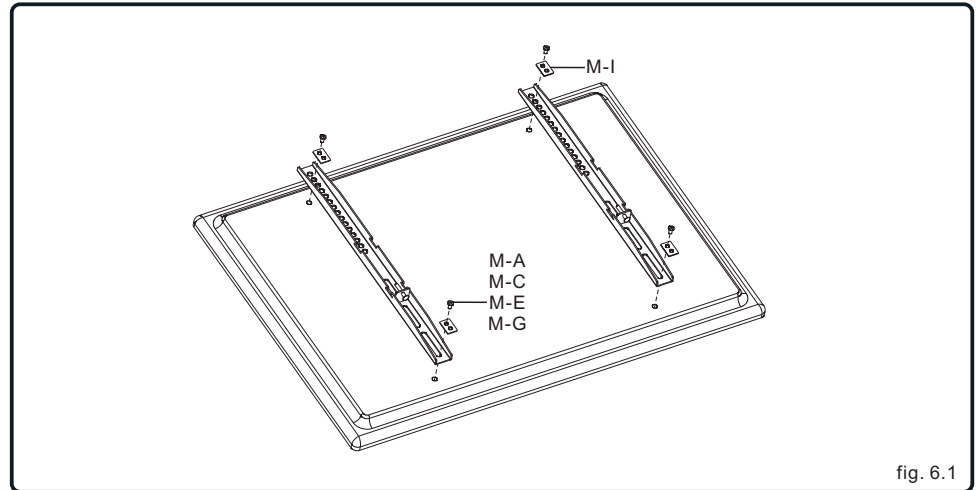


fig. 6.1

## 6-2 For Bump-out or Recessed Back Screen

- Begin with longer length screw, hand thread through washer, adapter bracket and spacer into screen as shown below.
- Screw must make at least three full turns into mounting hole and fit snug into place. Do not over tighten.
- If screw cannot make three full turns into screen, select a longer length screw. Repeat for remaining mounting holes, level brackets and tighten screws.

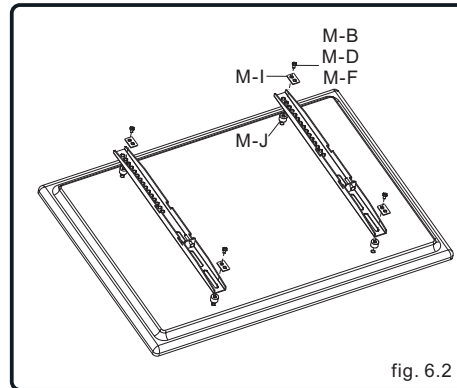


fig. 6.2

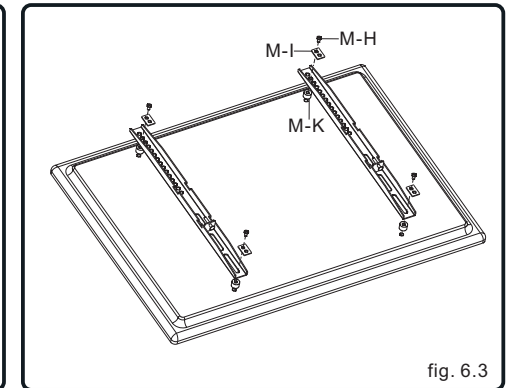


fig. 6.3

## 7 Hang TV onto the Universal plate

**Warning:** A minimum of two qualified people are required for this operation.

- Loosen the safety screw on the adapter brackets, as shown in fig. 7.1.
- Hook the TV onto the universal plate and tighten the safety screws with a proper screw driver as shown in fig. 7.1.

**Important:** Make sure the TV is correctly hooked and the safety locking screws are locked safely before releasing the TV.